

GRANITE REMNANT STORE

Job # _____	Date Of Order _____
Company _____	Template Date: _____
Reference _____	Date of Conf: _____
_____	Date Feb. Comp: _____
_____	Install/P.U. Date: _____

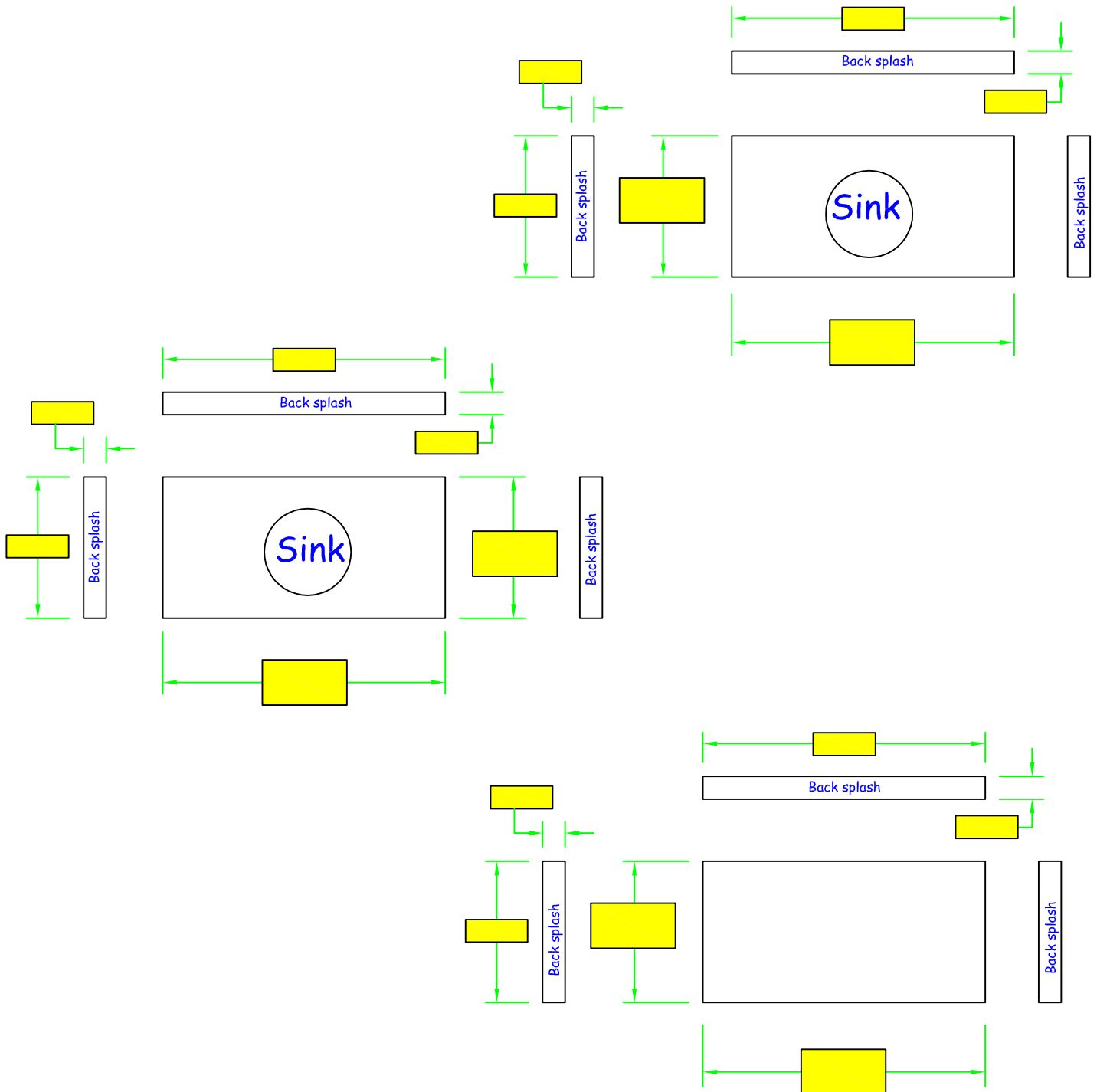
Job Address _____ Salesman _____
 Phone# _____ Map# _____

Stone color _____	Kitchen Sink _____ UMS/DIS	<input type="checkbox"/> Master Bath
Size _____	Veg Sink _____ UMS/DIS	<input type="checkbox"/> Bath #2
2cm/3cm/other _____ From _____	Bar Sink/Utly _____ UMS/DIS	<input type="checkbox"/> Bath #3
Material: Ordered / / Received / /	Bath Sink _____ UMS/DIS	<input type="checkbox"/> Bath #4
	Cooktop _____ Range _____	<input type="checkbox"/> Powder room

W = Wall Cab = Cabinet C = Centerline R = Radius (R1 = 1" Radius
 R2 = 2" Radius R3 = 3" Radius) Back Splash: YES / NO - Height _____

O = Flat Polish X = Finished Edge: Bullnose - DemiBull

Bathroom Vanity Tops



How to measure your Bathroom for new counter tops.

1. Select the diagram for bathroom.
2. Print that form as a guide to measuring your vanity tops in your bathroom. Print several if you are doing more than one bathroom.
3. Using a tape measure, fill in the highlighted boxes for as many measurements as need to define your bathroom. You can also take a few photos with your phone or camera to bring in with your form. Note the areas that will need back splashes.
4. Use the graniteremnantstore.com web site to view a selection of the many products we offer.
5. Also select your edge profile and mark the drawing with an "X" for the areas that require an edge.
6. Bring this form and your pictures to the Granite Remnant Store located at 1709 N. Central Expressway in Plano to view material, edges and sinks.
7. One of our knowledgeable sales representatives will help you with selection and provide you with an estimate of cost.
8. Please see the completed drawings on our web site for direction or call our office to speak to a counter top specialist for help at 972-578-1329.

*This will be used just to calculate an estimate. Nothing will be fabricated from this form. Once you have made your decision to purchase your new counter top, GRS will send a professional installer to make templates, measure sink centers and make drawings, before fabrication begins. At this time an exact estimate will be prepared.